

2PD8202700NU(3:7)



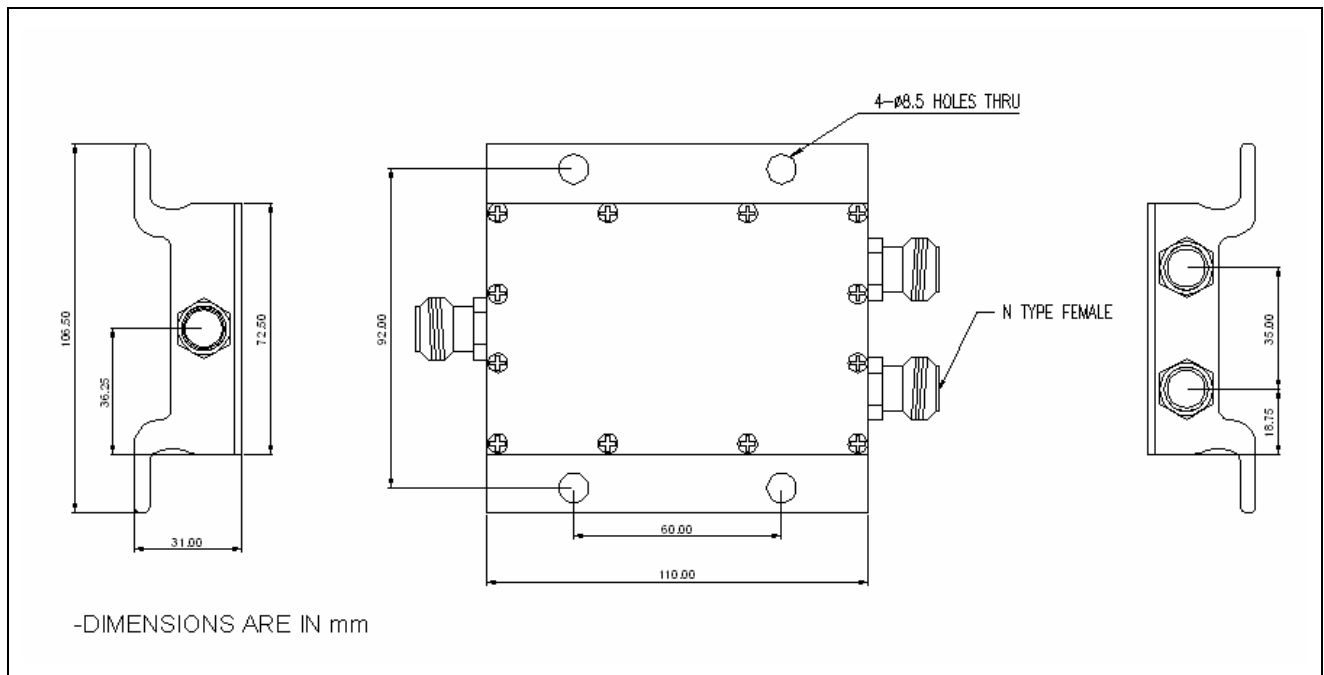
Specifications:

Parameter	Limits
Frequency (GHz)	0.82 to 2.7
VSWR(IN / OUT max : 1)	1.2
*Insertion loss (dB max)	0.7/0.4
Isolation (Db min)	20
**Average Power (watt)	30
PIMD	-140dBc

\*Power divider insertion loss is defined as the log of the input power divided by the sum of the power at the two output ports.

\*\* Average Power Rating into a load VSWR 1.2 to 1

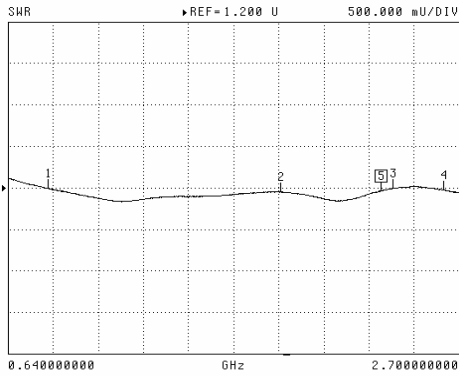
Outline Drawing



# Typical Performance

## INPUT VSWR

S11 FORWARD REFLECTION



CH 1 - S11  
REFERENCE PLANE  
1.1925 cm

MARKER 5  
2.342075000 GHz  
1.162 U

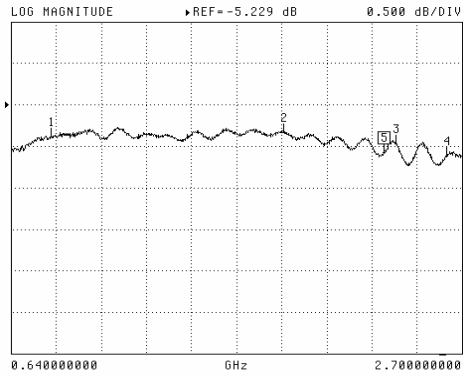
MARKER TO MAX  
MARKER TO MIN

1	0.825400000 GHz	1.192 U
2	1.886300000 GHz	1.149 U
3	2.398725000 GHz	1.192 U
4	2.630475000 GHz	1.172 U

MARKER READOUT  
FUNCTIONS

## INSERTION LOSS(J1→J2)

S21 FORWARD TRANSMISSION



CH 2 - S21  
REFERENCE PLANE  
0.0000 mm

MARKER 5  
2.342075000 GHz  
-5.807 dB

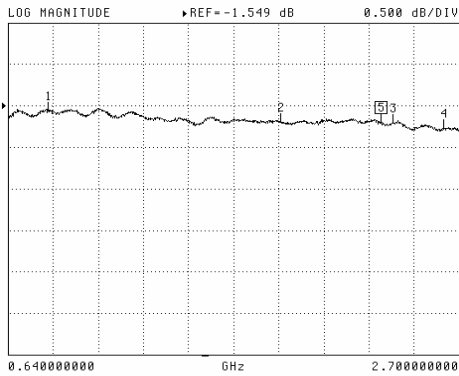
MARKER TO MAX  
MARKER TO MIN

1	0.825400000 GHz	-5.621 dB
2	1.886300000 GHz	-5.569 dB
3	2.398725000 GHz	-5.699 dB
4	2.630475000 GHz	-5.844 dB

MARKER READOUT  
FUNCTIONS

## INSERTION LOSS(J1→J3)

S21 FORWARD TRANSMISSION



CH 2 - S21  
REFERENCE PLANE  
0.0000 mm

MARKER 5  
2.342075000 GHz  
-1.753 dB

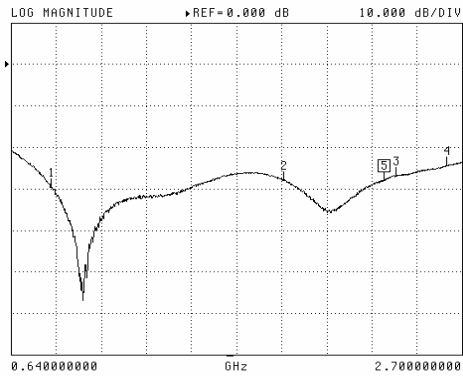
MARKER TO MAX  
MARKER TO MIN

1	0.825400000 GHz	-1.614 dB
2	1.886300000 GHz	-1.750 dB
3	2.398725000 GHz	-1.761 dB
4	2.630475000 GHz	-1.824 dB

MARKER READOUT  
FUNCTIONS

## ISOLATION

S21 FORWARD TRANSMISSION



CH 3 - S21  
REFERENCE PLANE  
0.0000 mm

MARKER 5  
2.342075000 GHz  
-27.907 dB

MARKER TO MAX  
MARKER TO MIN

1	0.825400000 GHz	-29.756 dB
2	1.886300000 GHz	-27.908 dB
3	2.398725000 GHz	-26.906 dB
4	2.630475000 GHz	-24.436 dB

MARKER READOUT  
FUNCTIONS